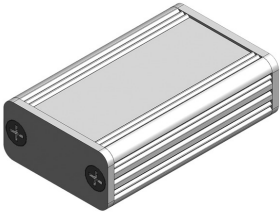


Data sheet Product

AKG055_20_



Cases>Miniature aluminium casing

Miniature aluminium casing also for D-Sub

- casing tubes made of aluminium sections which are slotted into each other and screwed together
- the recommended tightening torque of the screws for mounting the front panels is min. 0.7 Nm
- the tubes form a guide groove in the centre for insertion of a printed circuit board or installation plate with a thickness of 1.8 mm, lateral in the profile until 1.6 mm
- while using the corresponding case D-Sub connectors can be mounted without front panel
- supplied as demounted kit incl. 2 mm cover plates and mounting material
- cutouts, special lengths and surface treatments upon request

Features

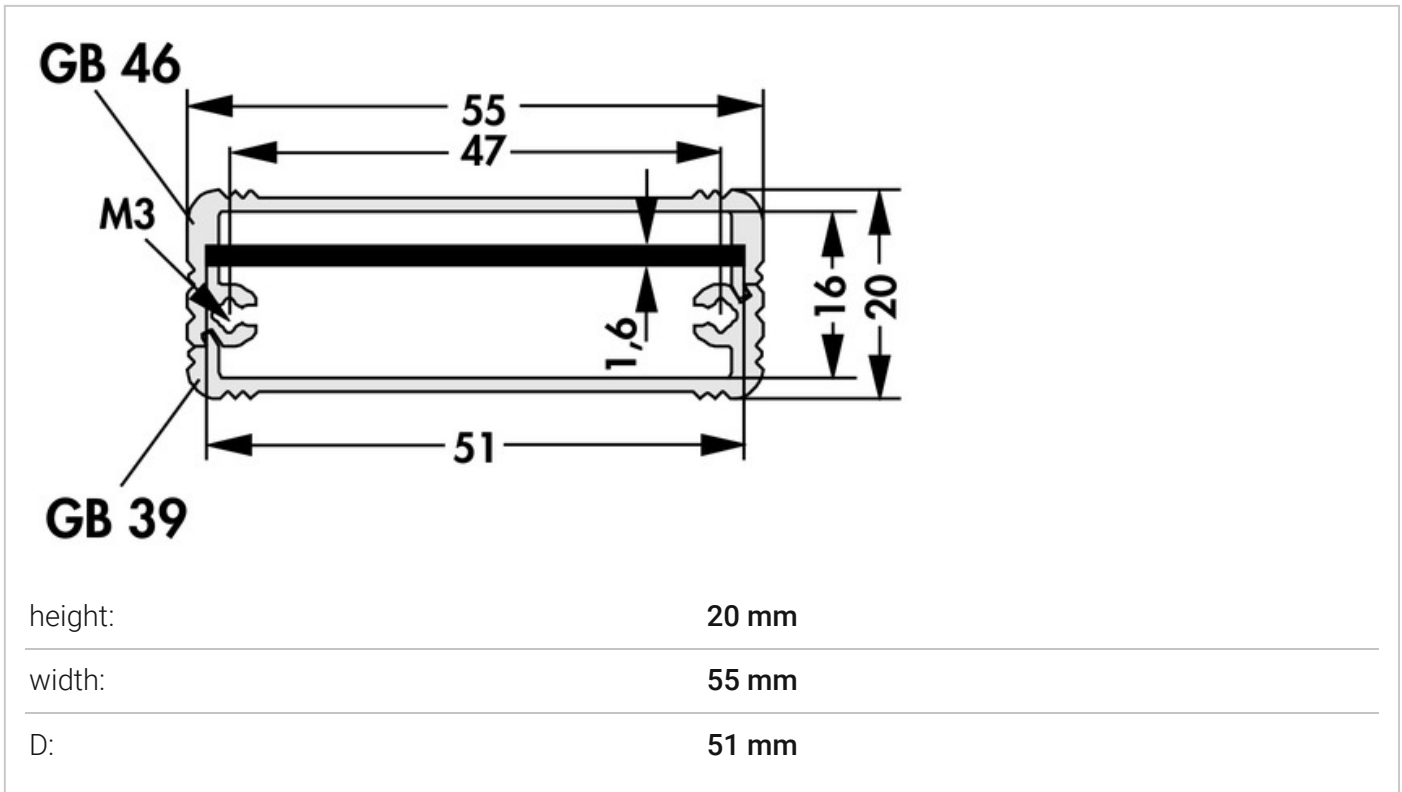
surface:

- black anodised
- natural colour anodised

length:

50 mm / 80 mm / 100 mm

Technical Drawing



Fischer Elektronik GmbH & Co. KG
 DEUTSCHLAND • GERMANY • ALLEMAGNE

Nottebohmstraße 28
 58511 Lüdenscheid

Telefon +49 2351 435-0
 Telefax +49 2351 45754

info@fischerelektronik.de
 www.fischerelektronik.de