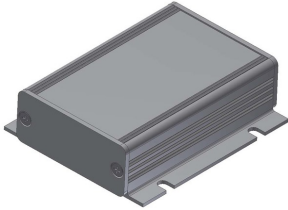


Data sheet Product

AKG055_24L_



Cases>Miniature aluminium casing

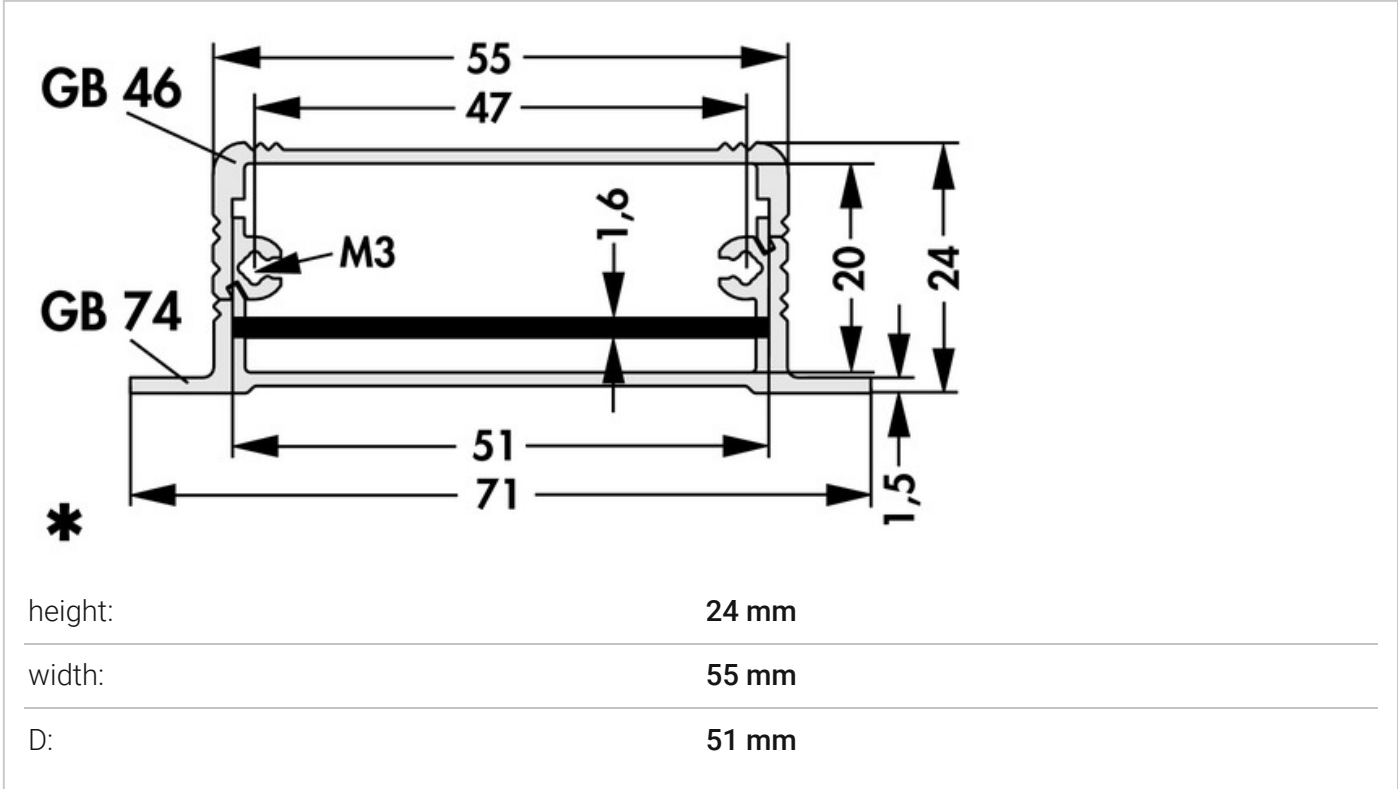
Miniature aluminium casing also for D-Sub

- casing tubes made of aluminium sections which are slotted into each other and screwed together
- the recommended tightening torque of the screws for mounting the front panels is min. 0.7 Nm
- the tubes form a guide groove in the centre for insertion of a printed circuit board or installation plate with a thickness of 1.8 mm, lateral in the profile until 1.6 mm
- while using the corresponding case D-Sub connectors can be mounted without front panel
- supplied as demounted kit incl. 2 mm cover plates and mounting material
- cutouts, special lengths and surface treatments upon request

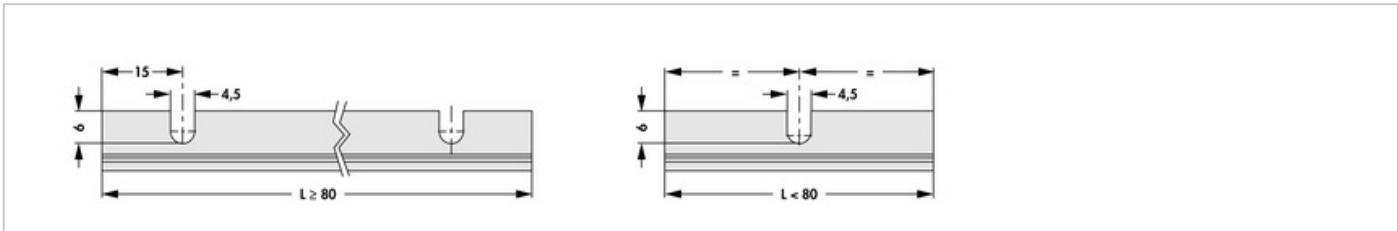
Features

| | |
|---------------|---|
| surface: | <ul style="list-style-type: none"> • black anodised • natural colour anodised |
| fixing strap: | with fixing straps |
| length: | 50 mm / 80 mm / 100 mm |

Technical Drawing



Further Information



Fischer Elektronik GmbH & Co. KG
 DEUTSCHLAND • GERMANY • ALLEMAGNE

Nottebohmstraße 28
 58511 Lüdenscheid

Telefon +49 2351 435-0
 Telefax +49 2351 45754

info@fischerelektronik.de
 www.fischerelektronik.de