

## Data sheet Product KO\_TL2\_

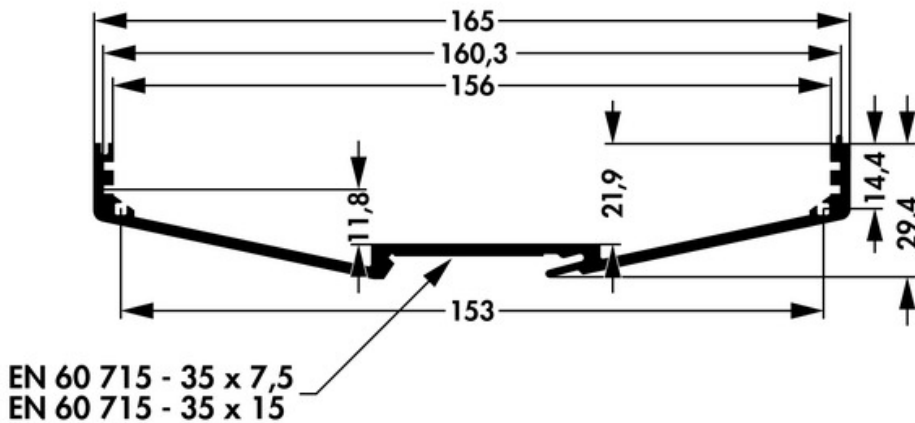


Cases&gt;Combination cases

### Features

length:	100 mm / 120 mm / 160 mm / 200 mm / 220 mm / 234 mm
surface:	<ul style="list-style-type: none"> <li>• black anodised</li> <li>• natural colour anodised</li> <li>• case profile SA, cover panels ME</li> <li>• transparent passivated</li> </ul>

### Technical Drawing



height:	29.4 mm
width:	165 mm