

Data sheet Product SEC084_039



Cases>Design cases

Design case SECCO

contents of delivery:

- 1 = 1 x basic profile
- 2 = 2 x plastic exterior frame
- 3 = 2 x cover panel (2 mm)
- 4 = 2 x plastic pressed on frame (similar **RAL 7012**)
- 5 = 4 x plastic design strip
- 6 = mounting material

- multi-purpose tube case made of aluminium with integrated guide slots for mounting non-standard PCBs or devices
- unique, elegant design with shock-proof plastic covers and integrated sealing
- horizontal or vertical mounting possibility of the PCB with 1.6 or 2 mm thickness
- protection class IP 67 achievable without using additional sealings
- integration possibility of front foils or key pads
- special designs and treatments, modifications and versions possible according to your demand
- outer frames and design strips in sky blue (similar to **RAL 5015**), brick red (similar to **RAL 3002**), bright green (similar to **RAL 6038**), pure orange (similar to **RAL 2004**) or sulphur yellow (similar to **RAL 1016**)
- other colours and surfaces upon request

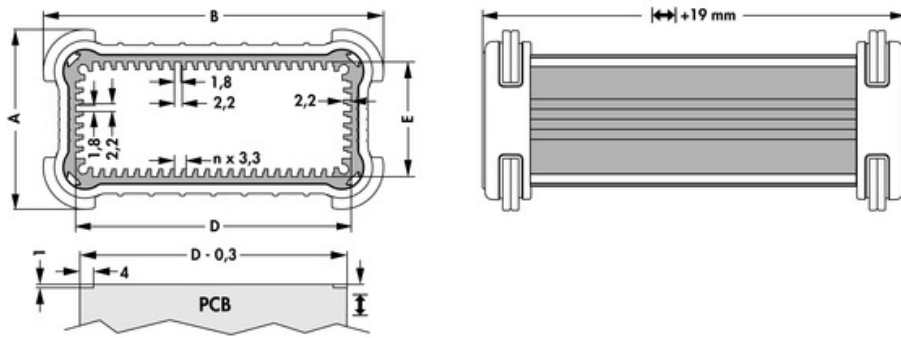
C = deliverable inside length +19 mm

Features

length: 50 mm / 80 mm / 100 mm / 120 mm / 160 mm / 200 mm / 220 mm

fixing strap (optional): with fixing straps

Technical Drawing



height:	50.5 mm
width:	96 mm
D:	77.8 mm
E:	32.3 mm
number of guide slots:	21

Fischer Elektronik GmbH & Co. KG
DEUTSCHLAND • GERMANY • ALLEMAGNE

Nottebohmstraße 28
58511 Lüdenscheid

Telefon +49 2351 435-0
Telefax +49 2351 45754

info@fischerelektronik.de
www.fischerelektronik.de