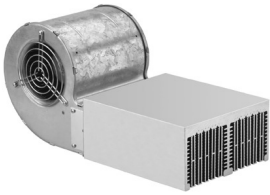




Data sheet Product LA25_

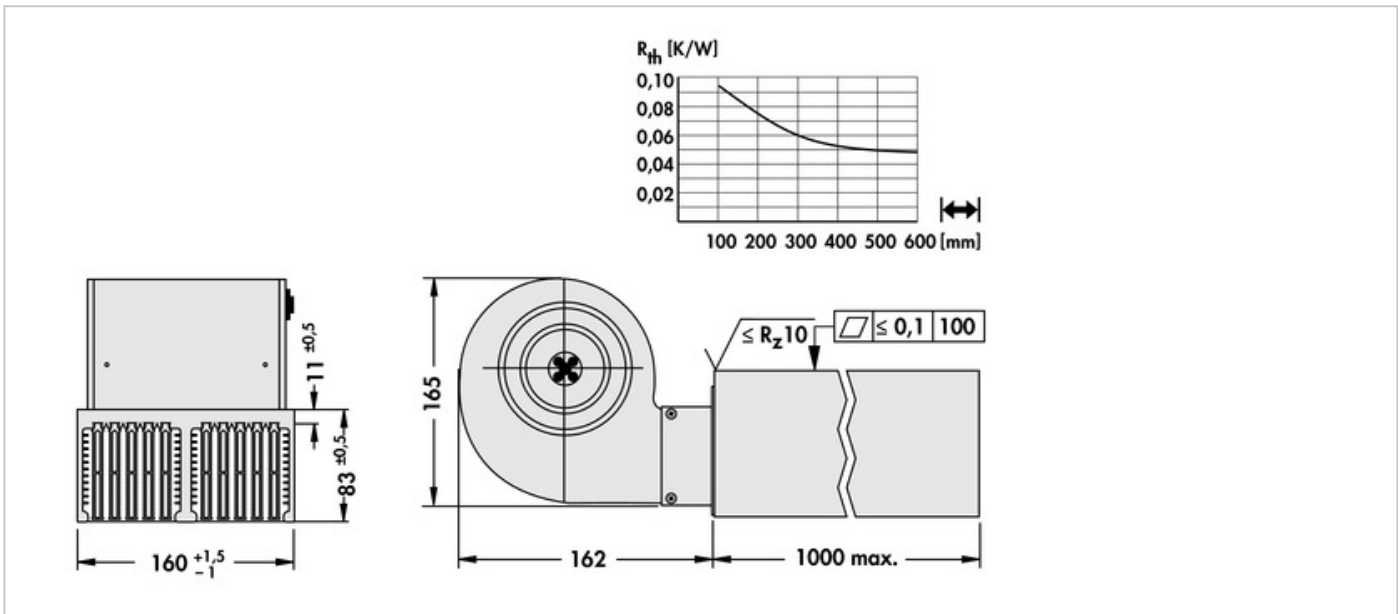


Cooling aggregates>Cooling aggregates with radial fan
160 x 83 mm, with radial fan

Features

width:	160 mm
height:	165 mm
length:	200 mm / 300 mm / 400 mm / 500 mm / 600 mm
thermal resistance:	0.095 - 0.049 K/W
surface:	<ul style="list-style-type: none"> • raw degreased aluminium • mounting area(s) milled flat

Technical Drawing



Fan**Radialgebläse, 230 V AC**

bearing type:	ball bearing
type:	ebmpapst, radial blower with grid, double sided absorbtion
discharge air flow:	435 m³/h
rotation speed:	1,950 min⁻¹
power inout:	87 W
current consumption:	0.39 A
circuit voltage:	230 V AC
temperature range:	-25°C... +40°C
motor condenser:	2 µF/400 V
noise level:	58 dB(A)
weight:	1500 g

Fischer Elektronik GmbH & Co. KG
DEUTSCHLAND • GERMANY • ALLEMAGNE

Nottebohmstraße 28
58511 Lüdenscheid

Telefon +49 2351 435-0
Telefax +49 2351 45754

info@fischerelektronik.de
www.fischerelektronik.de