

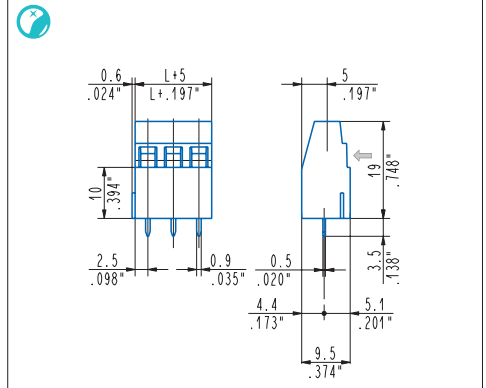
General data

Dimensional class:	low
Standard colour:	green for wave soldering, black for reflow soldering
Pitches:	metric 5 mm, 10 mm (.197 in, .394 in) imperial 5.08 mm, 10.16 mm (.200 in, .400 in)
Screw dimension:	M3
Recommended/highest tightening torque:	0.5/0.6 Nm (4.42/5.31 lbf-in)
PCB thickness:	max. 2.4 mm (.094 in)
PCB hole diameter:	min. 1.2 mm (.047 in) / 1.4 mm (.055 in) for STH® version
Stripping length:	5 ÷ 6 mm (.197 ÷ .24 in)
Operating temperature range:	-40 °C ÷ +105 °C (-40 °F ÷ +221 °F)
STH operating temperature range:	-40 °C ÷ +105 °C (-40 °F ÷ +221 °F)
Contact resistance:	<15 mΩ
Insulation resistance:	>10 ⁹ Ω (500V DC)
Insulating material group:	I (CTI ≥ 600V)

Certifications

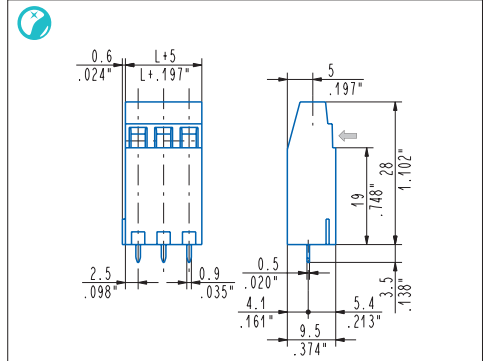
- UL (n. E167474)**
300 V - 13.5 A (factory wiring), 10 A (field wiring)- 30÷16 AWG - 6 lbf-in for 5 mm, 5.08 mm
600 V - 13.5 A (factory wiring), 10 A (field wiring)- 30÷16 AWG - 6 lbf-in for 10 mm and 10.16 mm pitch
- VDE (n. 40022743)**
250 V - 13.5 A (10 A for "T" and "K" versions) - T 110 - 1 mm² for 5 mm and 5.08 mm pitch
750 V - 13.5 A (10 A for "T" and "K" versions) - T 110 - 1 mm² for 10 mm and 10.16 mm pitch
- IMQ (n. ED624)**
250 V - T 110 - 17.5 A - 1.5 mm² solid (13.5 A - 1 mm² stranded) for 5 mm and 5.08 mm pitch
750 V - T 110 - 17.5 A - 1.5 mm² solid (13.5 A - 1 mm² stranded) for 10 mm and 10.16 mm pitch
- CSA (n. LR102896)**
300 V - 13.5 A - 30÷15 AWG for 5 mm, 5.08 mm
600 V - 13.5 A - 30÷15 AWG for 10 mm and 10.16 mm pitch
- Application values for end-use equipment have to be in accordance to norms and applicable to it.
The certifications of some product's versions could be pending, for more detailed and updated data please refer to our web site www.sauro.net or your representative Sales Manager

N.B.: For a higher number of poles, the product will be supplied already side-stacked.



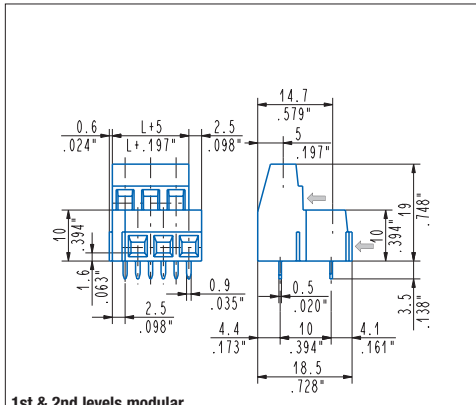
Medium tower modular

- PSB_0M1* - 2 ÷ 8 poles, 5 mm / .197" pitch
 - PSB_0M2* - 1 ÷ 4 poles, 10 mm / .394" pitch
 - PSB_0M5** - 2 ÷ 8 poles, 5.08 mm / .200" pitch
 - PSB_0M6** - 1 ÷ 4 poles, 10.16 mm / .400" pitch
 - PSBH_0M1-ON* - 2 ÷ 8 poles, 5 mm / .197" pitch
 - PSBH_0M2-ON* - 1 ÷ 4 poles, 10 mm / .394" pitch
 - PSBH_0M5-ON** - 2 ÷ 8 poles, 5.08 mm / .200" pitch
 - PSBH_0M6-ON** - 1 ÷ 4 poles, 10.16 mm / .400" pitch
- *Single Mould Terminal Blocks / **Assembled Terminal Blocks



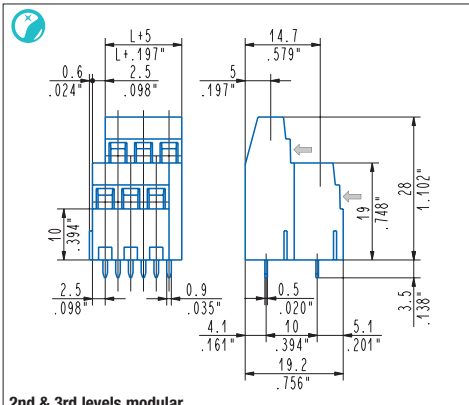
High tower modular

- PSB_0H1* - 2 ÷ 3 poles, 5 mm / .197" pitch
 - PSB_0H2* - 1 ÷ 2 poles, 10 mm / .394" pitch
 - PSB_0H5** - 2 ÷ 3 poles, 5.08 mm / .200" pitch
 - PSB_0H6** - 1 ÷ 2 poles, 10.16 mm / .400" pitch
 - PSBH_0H1-ON* - 2 ÷ 3 poles, 5 mm / .197" pitch
 - PSBH_0H2-ON* - 1 ÷ 2 poles, 10 mm / .394" pitch
 - PSBH_0H5-ON** - 2 ÷ 3 poles, 5.08 mm / .200" pitch
 - PSBH_0H6-ON** - 1 ÷ 2 poles, 10.16 mm / .400" pitch
- *Single Mould Terminal Blocks / **Assembled Terminal Blocks



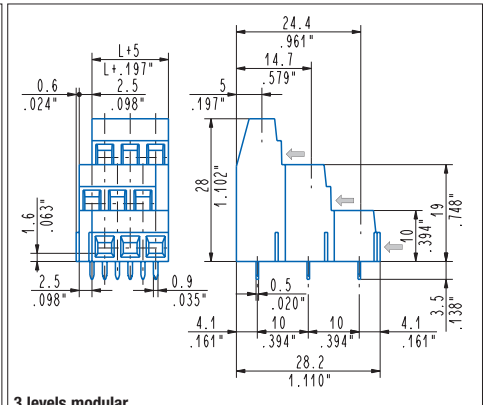
1st & 2nd levels modular

- PSB_0D1* - 2 ÷ 3 poles, 5 mm / .197" pitch
 - PSB_0D2* - 1 ÷ 2 poles, 10 mm / .394" pitch
 - PSB_0D5** - 2 ÷ 3 poles, 5.08 mm / .200" pitch
 - PSB_0D6** - 1 ÷ 2 poles, 10.16 mm / .400" pitch
 - PSBH_0D1-ON* - 2 ÷ 3 poles, 5 mm / .197" pitch
 - PSBH_0D2-ON* - 1 ÷ 2 poles, 10 mm / .394" pitch
 - PSBH_0D5-ON** - 2 ÷ 3 poles, 5.08 mm / .200" pitch
 - PSBH_0D6-ON** - 1 ÷ 2 poles, 10.16 mm / .400" pitch
- *Single Mould Terminal Blocks / **Assembled Terminal Blocks



2nd & 3rd levels modular

- PSB_0K1* - 2 ÷ 3 poles, 5 mm / .197" pitch
 - PSB_0K2* - 1 ÷ 2 poles, 10 mm / .394" pitch
 - PSB_0K5** - 2 ÷ 3 poles, 5.08 mm / .200" pitch
 - PSB_0K6** - 1 ÷ 2 poles, 10.16 mm / .400" pitch
 - PSBH_0K1-ON* - 2 ÷ 3 poles, 5 mm / .197" pitch
 - PSBH_0K2-ON* - 1 ÷ 2 poles, 10 mm / .394" pitch
 - PSBH_0K5-ON** - 2 ÷ 3 poles, 5.08 mm / .200" pitch
 - PSBH_0K6-ON** - 1 ÷ 2 poles, 10.16 mm / .400" pitch
- *Single Mould Terminal Blocks / **Assembled Terminal Blocks



3 levels modular

- PSB_0T1* - 2 ÷ 3 poles, 5 mm / .197" pitch
 - PSB_0T2* - 1 ÷ 2 poles, 10 mm / .394" pitch
 - PSB_0T5** - 2 ÷ 3 poles, 5.08 mm / .200" pitch
 - PSB_0T6** - 1 ÷ 2 poles, 10.16 mm / .400" pitch
 - PSBH_0T1-ON* - 2 ÷ 3 poles, 5 mm / .197" pitch
 - PSBH_0T2-ON* - 1 ÷ 2 poles, 10 mm / .394" pitch
 - PSBH_0T5-ON** - 2 ÷ 3 poles, 5.08 mm / .200" pitch
 - PSBH_0T6-ON** - 1 ÷ 2 poles, 10.16 mm / .400" pitch
- *Single Mould Terminal Blocks / **Assembled Terminal Blocks