

- Traditional for wave soldering
- For resined PCB
- Suitable for the EX areas

- STH® for reflow soldering
- For resined PCB
- MSL1



General data

Dimensional class:	medium
Standard colour:	green for wave soldering, black for reflow soldering
Pitches:	metric 5 mm, 10 mm (.197 in, .394 in) imperial 5.08 mm, 10.16 mm (.200 in, .400 in)
Screw dimension:	M3
Recommended/highest tightening torque:	0.5/0.6 Nm (4.42/5.31 lbf-in)
PCB thickness:	max. 2.4 mm (.094 in)
PCB hole diameter:	min. 1.4 mm (.055 in) / 1.5 mm (.055 in) for STH® version
Stripping length:	5.5 ÷ 6.5 mm (.22 ÷ .26 in)
Operating temperature range:	-40 °C ÷ +120 °C (-40 °F ÷ +248 °F)
Contact resistance:	<15 mΩ
Insulation resistance:	>10 ⁹ Ω (500V DC)
Insulating material group:	I (CTI ≥ 600V)

Certifications

UL (n. E167473)

300 V - 17.5 A - 30÷12 AWG - 7 lbf-in for 5 mm, 5.08 mm pitch
600 V - 17.5 A - 30÷12 AWG - 7 lbf-in for 10 mm and 10.16 mm pitch

VDE (n. 40022741)

250 V - 24 A (20 A for "T" and "K" versions) - 2.5 mm² - T 110 for 5 mm and 5.08 mm pitch
750 V - 24 A (20 A for "T" and "K" versions) - 2.5 mm² - T 110 for 10 mm and 10.16 mm pitch

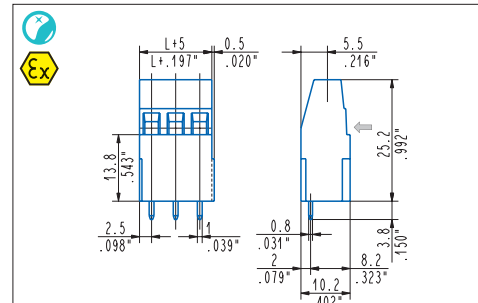
IMQ (n. ED625)

250 V - 24 A - 2.5 mm² - T 110 for 5 mm and 5.08 mm pitch
750 V - 24 A - 2.5 mm² - T 110 for 10 mm and 10.16 mm pitch

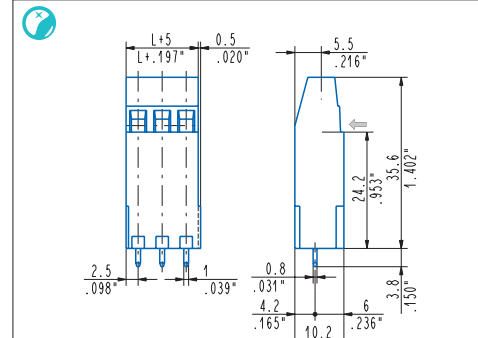
CSA (n. LR102896)

300 V - 17.5 A - 30÷12 AWG for 5 mm, 5.08 mm pitch
600 V - 17.5 A - 30÷12 AWG for 10 mm and 10.16 mm pitch

Application values for end-use equipment have to be in accordance to norms and applicable to it.
The certifications of some product's versions could be pending, for more detailed and updated data please refer to our web site www.sauro.net or your representative Sales Manager

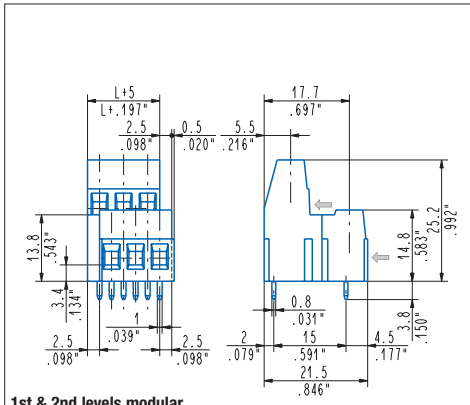


- Medium tower modular**
- PSM_0M1* - 2 ÷ 8 poles, 5 mm / .197" pitch
 - PSM_0M2* - 1 ÷ 4 poles, 10 mm / .394" pitch
 - PSM_0M5** - 2 ÷ 8 poles, 5.08 mm / .200" pitch
 - PSM_0M6** - 1 ÷ 4 poles, 10.16 mm / .400" pitch
 - PSM_0M1-ONT00X* 2÷8 poles, 5 mm / .197" pitch (Ex version)
 - PSM_0M2-ONT00X* 1÷4 poles, 10 mm / .394" pitch (Ex version)
 - PSM_0M5-ONT00X** 2÷8 poles, 5.08 mm / .200" pitch (Ex version)
 - PSM_0M6-ONT00X** 1÷4 poles, 10.16 mm / .400" pitch (Ex version)
 - PSMH_0M1-ON* - 2 ÷ 8 poles, 5 mm / .197" pitch
 - PSMH_0M2-ON* - 1 ÷ 4 poles, 10 mm / .394" pitch
 - PSMH_0M5-ON** - 2 ÷ 8 poles, 5.08 mm / .200" pitch
 - PSMH_0M6-ON** - 1 ÷ 4 poles, 10.16 mm / .400" pitch
- *Single Mould Terminal Blocks / **Assembled Terminal Blocks

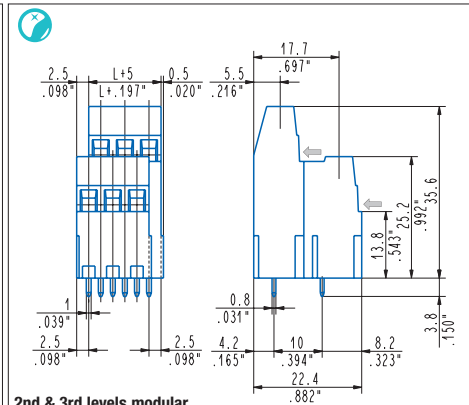


- High tower modular**
- PSM_0H1* - 2 ÷ 3 poles, 5 mm / .197" pitch
 - PSM_0H2* - 1 ÷ 2 poles, 10 mm / .394" pitch
 - PSM_0H5** - 2 ÷ 3 poles, 5.08 mm / .200" pitch
 - PSM_0H6** - 1 ÷ 2 poles, 10.16 mm / .400" pitch
- *Single Mould Terminal Blocks / **Assembled Terminal Blocks

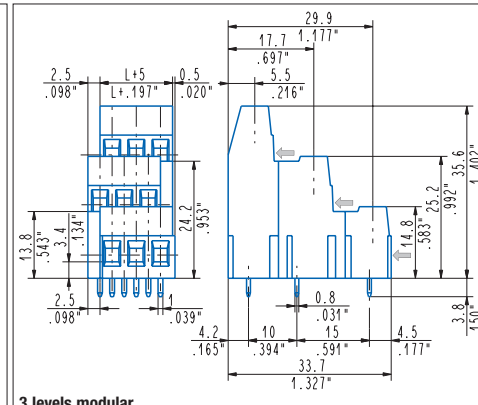
N.B.: For a higher number of poles, the product will be supplied already side-stacked.



- 1st & 2nd levels modular**
- PSM_0D1* - 2 ÷ 3 poles, 5 mm / .197" pitch
 - PSM_0D2* - 1 ÷ 2 poles, 10 mm / .394" pitch
 - PSM_0D5** - 2 ÷ 3 poles, 5.08 mm / .200" pitch
 - PSM_0D6** - 1 ÷ 2 poles, 10.16 mm / .400" pitch
- *Single Mould Terminal Blocks / **Assembled Terminal Blocks



- 2nd & 3rd levels modular**
- PSM_0K1* - 2 ÷ 3 poles, 5 mm / .197" pitch
 - PSM_0K2* - 1 ÷ 2 poles, 10 mm / .394" pitch
 - PSM_0K5** - 2 ÷ 3 poles, 5.08 mm / .200" pitch
 - PSM_0K6** - 1 ÷ 2 poles, 10.16 mm / .400" pitch
- *Single Mould Terminal Blocks / **Assembled Terminal Blocks



- 3 levels modular**
- PSM_0T1* - 2 ÷ 3 poles, 5 mm / .197" pitch
 - PSM_0T2* - 1 ÷ 2 poles, 10 mm / .394" pitch
 - PSM_0T5** - 2 ÷ 3 poles, 5.08 mm / .200" pitch
 - PSM_0T6** - 1 ÷ 2 poles, 10.16 mm / .400" pitch
- *Single Mould Terminal Blocks / **Assembled Terminal Blocks