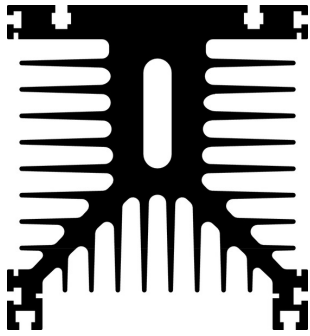


Data sheet Product SK109_

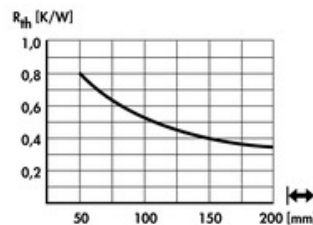
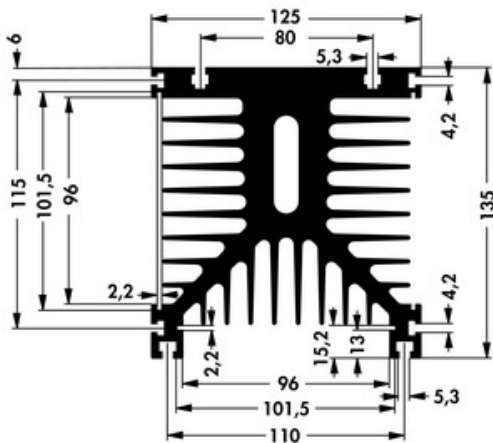


Profile heatsinks and fluid coolers>Standard extruded heatsinks
125 x 135 mm, with guide away for cover plates or blanks

Features

thermal resistance:	0.8 - 0.35 K/W
surface:	<ul style="list-style-type: none"> • black anodised • natural colour anodised • raw degreased aluminium
height:	135 mm
width:	125 mm
length:	100 mm / 150 mm / 200 mm / 1000 mm
plate thickness:	14 mm

Technical Drawing



Fischer Elektronik GmbH & Co. KG
DEUTSCHLAND • GERMANY • ALLEMAGNE

Nottebohmstraße 28
58511 Lüdenscheid

Telefon +49 2351 435-0
Telefax +49 2351 45754

info@fischerelektronik.de
www.fischerelektronik.de